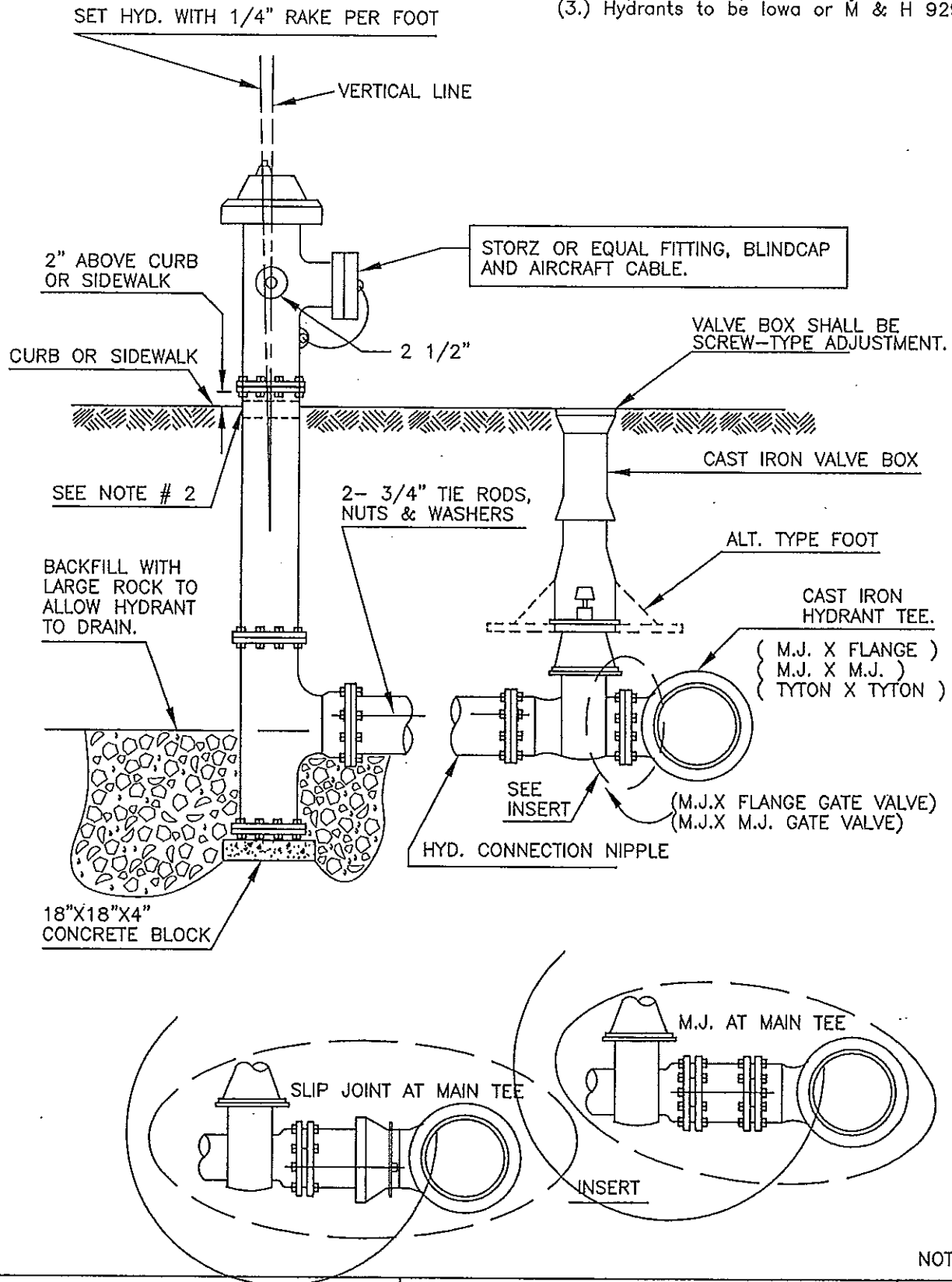


NOTES

- (1.) For close coupled hydrants use all flange type connections.
- (2.) If hydrant rises through concrete use expansion strip around hydrant barrel.
- (3.) Hydrants to be Iowa or M & H 929T.



NOT TO SCALE

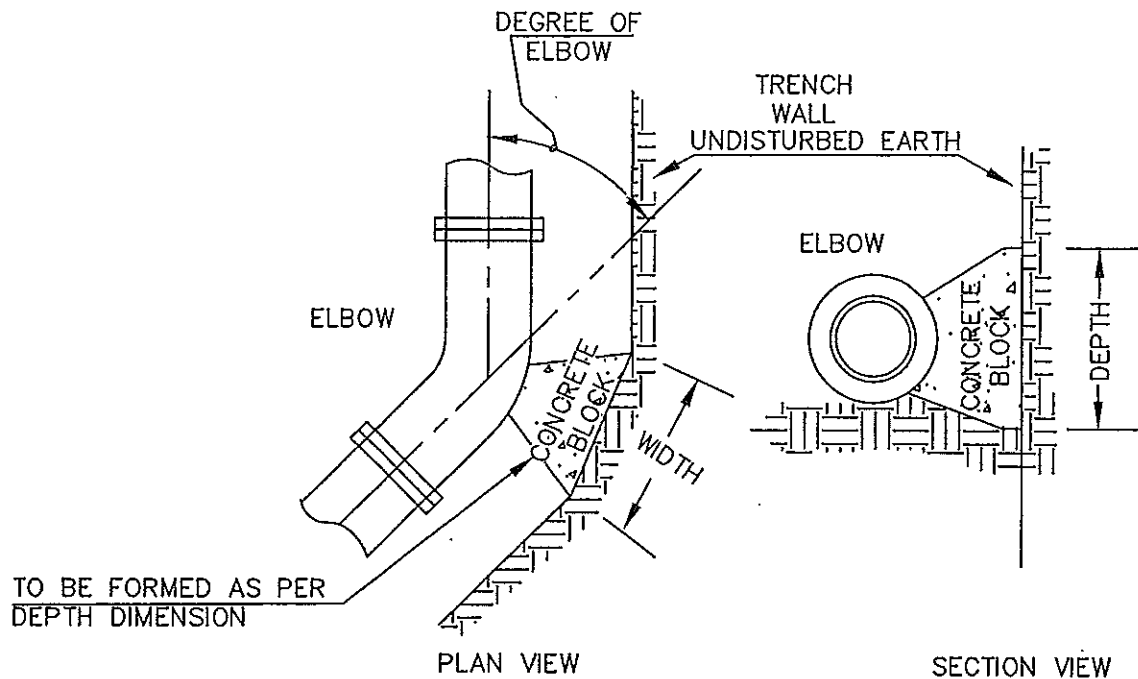
APPROVED

Public Works Director

Date

CITY OF FERNDALE
FIRE HYDRANT ASSEMBLY

DRAWING
W-1



100 P.S.I. OPERATING PRESSURE

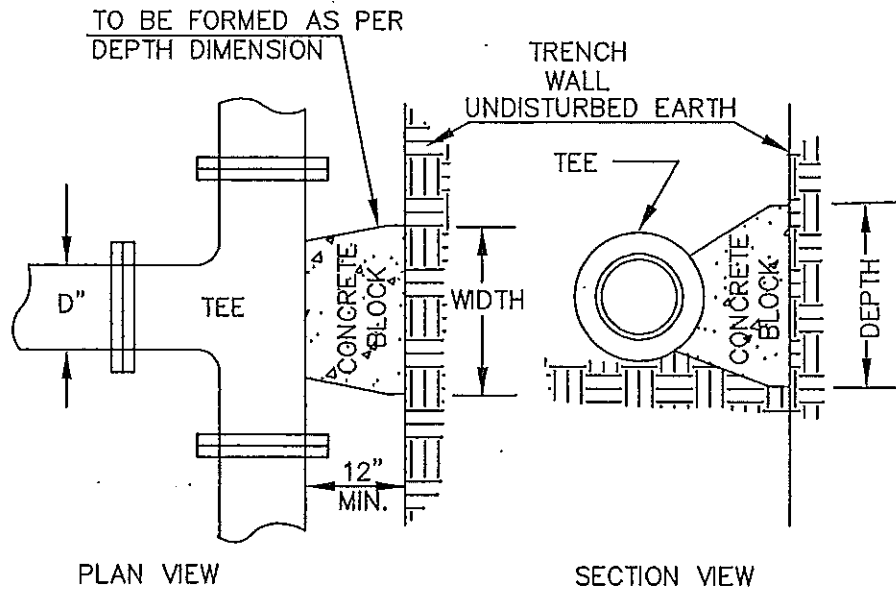
SIZE	11 1/4°		22 1/2°		45°		90°	
	W	D	W	D	W	D	W	D
6"	1'-0"	1'-0"	1'-0"	1'-0"	1'-6"	1'-6"	2'-3"	1'-6"
8"	1'-3"	1'-3"	1'-3"	1'-3"	1'-9"	1'-9"	3'-0"	2'-0"
10"	1'-9"	1'-6"	1'-9"	1'-6"	2'-3"	2'-3"	3'-6"	2'-6"
12"	2'-0"	1'-9"	2'-0"	1'-9"	2'-9"	2'-6"	4'-0"	3'-0"
16"	2'-9"	2'-3"	2'-9"	2'-3"	4'-0"	3'-0"	6'-3"	3'-6"
20"	3'-6"	2'-9"	3'-6"	2'-9"	4'-6"	4'-0"	8'-6"	4'-0"
24"	4'-6"	3'-0"	4'-6"	3'-0"	5'-6"	5'-0"	9'-9"	5'-0"

NOTE:

ALL ABOVE DIMENSIONS APPLY TO STABLE TRENCH WALLS, UNDER VARIABLE CONDITIONS SIZE OF THRUST BLOCK SHALL BE DETERMINED BY ENGINEER.

NOT TO SCALE

APPROVED	CITY OF FERNDALE THRUST BLOCKING ELBOWS	DRAWING W-2
Public Works Director _____ Date _____		



100 P.S.I.
OPERATING PRESSURE

SIZE	WIDTH	DEPTH
6"	1'-6"	1'-6"
8"	2'-0"	2'-0"
10"	2'-6"	2'-6"
12"	3'-0"	3'-0"
16"	4'-6"	3'-6"
20"	6'-0"	4'-0"
24"	7'-0"	5'-0"

NOTE:
ALL ABOVE DIMENSIONS APPLY TO STABLE TRENCH WALLS, UNDER VARIABLE CONDITIONS SIZE OF THRUST BLOCK SHALL BE DETERMINED BY ENGINEER.

NOT TO SCALE

APPROVED

Public Works Director

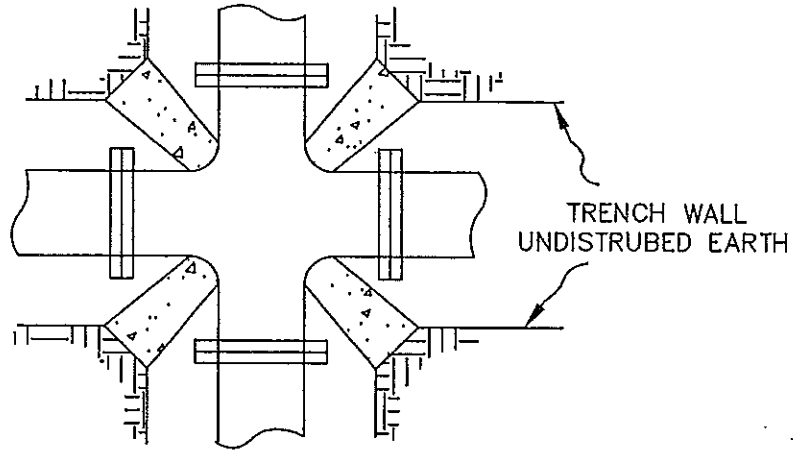
Date

CITY OF FERNDALE
THRUST BLOCKING
TEES

DRAWING

W-3

TO BE FORMED AS PER
DEPTH DIMENSION



100 P.S.I.
OPERATING PRESSURE

SIZE	WIDTH	DEPTH
6"	1'-0"	1'-0"
8"	1'-3"	1'-3"
10"	1'-6"	1'-6"
12"	1'-9"	1'-9"
16"	2'-3"	2'-6"
20"	2'-6"	3'-6"
24"	3'-0"	4'-0"

NOTE:
ALL ABOVE DIMENSIONS APPLY TO STABLE TRENCH WALLS, UNDER VARIABLE
CONDITIONS SIZE OF THRUST BLOCK SHALL BE DETERMINED BY ENGINEER.

NOT TO SCALE

APPROVED

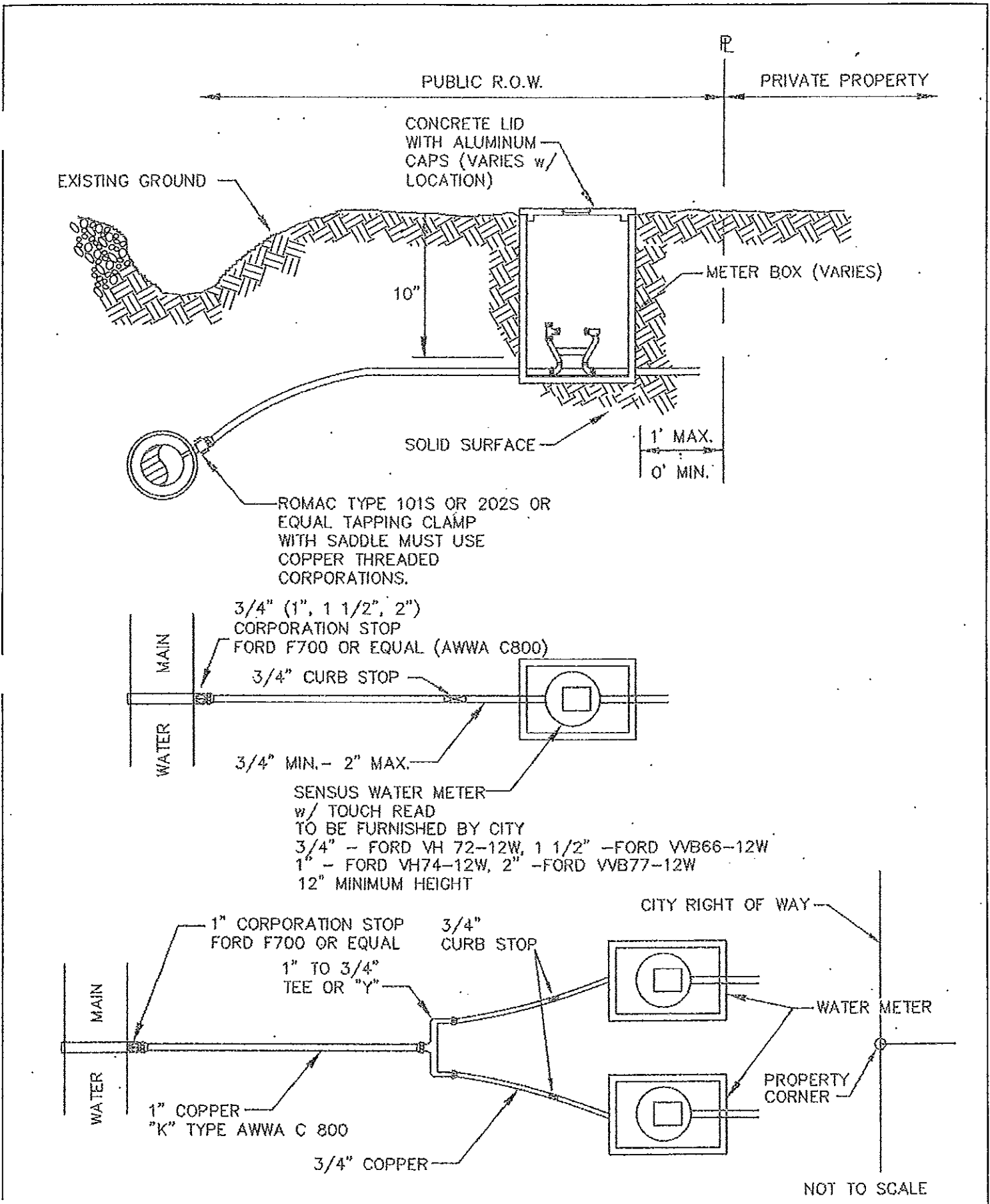
Public Works Director

Date

CITY OF FERNDALE
THRUST BLOCKING
4-WAY INTERSECTION

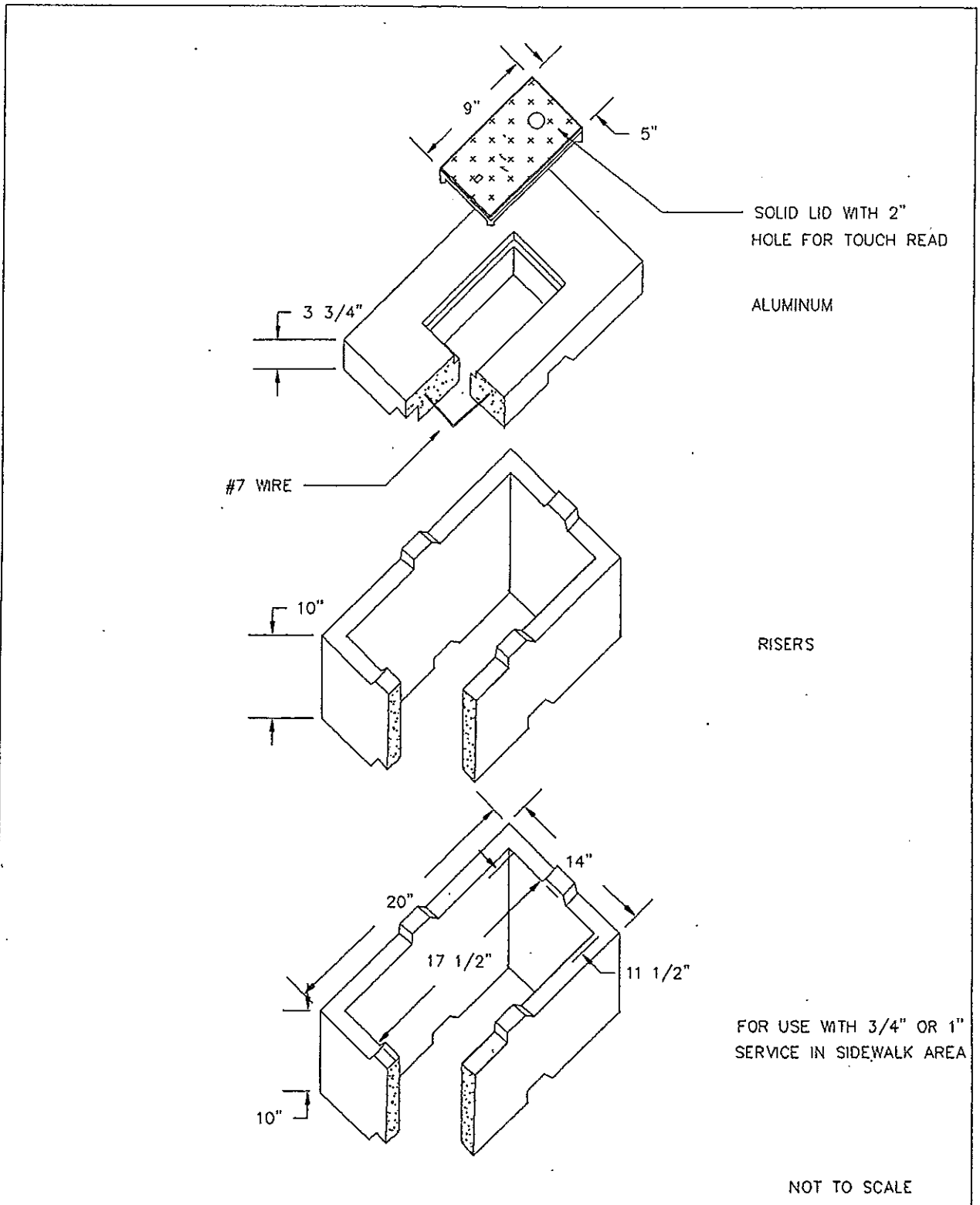
DRAWING

W-4

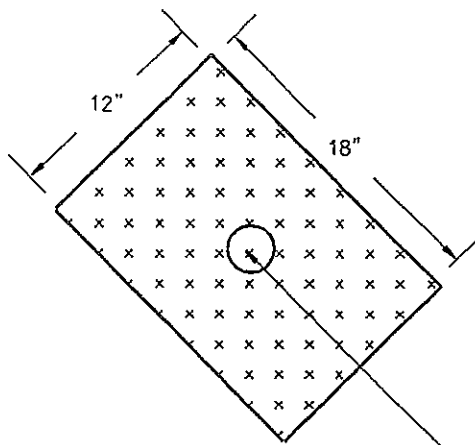


NOT TO SCALE

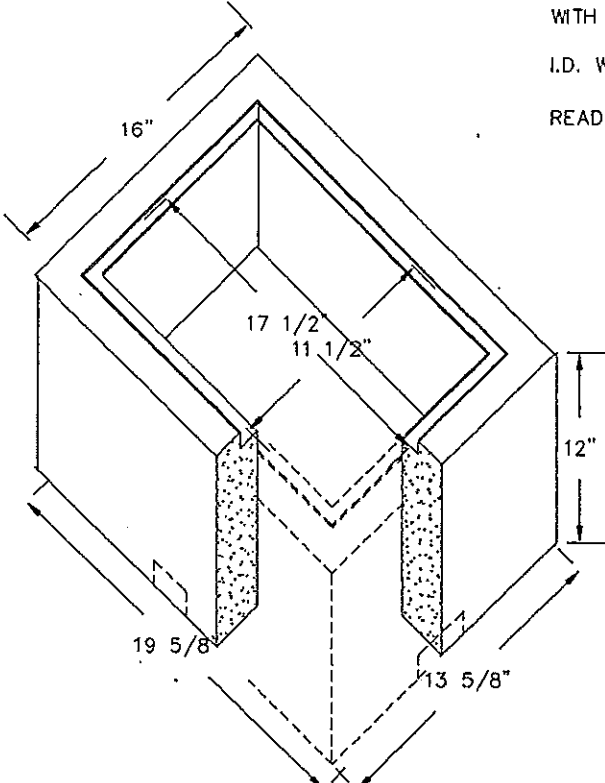
<p>APPROVED</p>	<p>CITY OF FERNDALE TYPICAL WATER SERVICE (3/4" TO 2")</p>	<p>DRAWING W-5</p>
<p>Public Works Director _____ Date _____</p>		



APPROVED	CITY OF FERNDALE NO. 1 METER BOX FOG TITE	DRAWING W-6
Public Works Director Date		



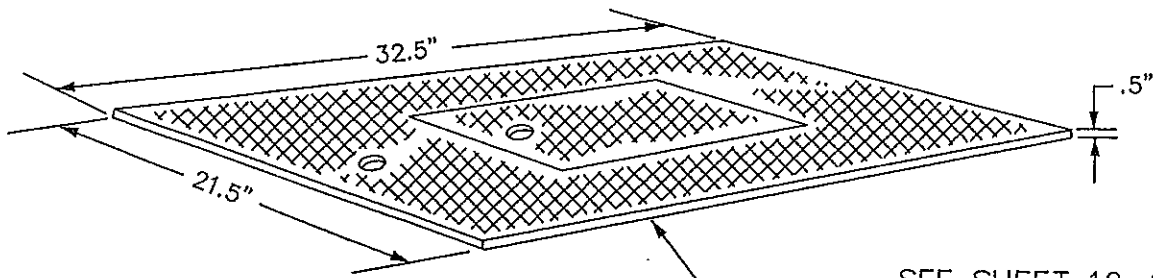
3/8" STEEL TRAFFIC COVER
 WITH WELD "WATER" METER
 I.D. WITH 2" HOLE FOR TOUCH
 READ



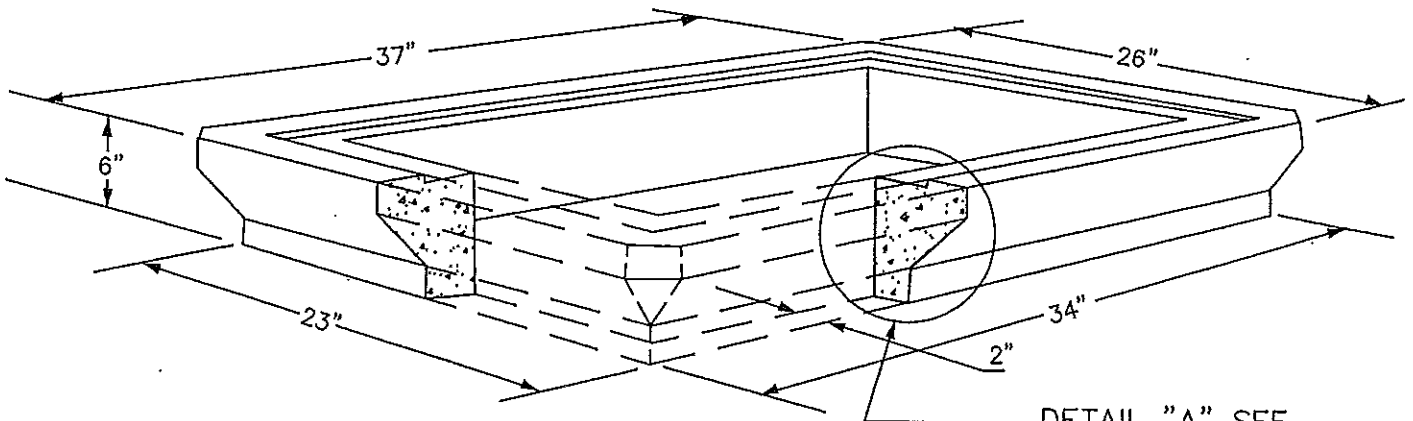
NOTE: FOR USE WITH 3/4" OR 1"
 SERVICE IN TRAFFIC AREA

NOT TO SCALE

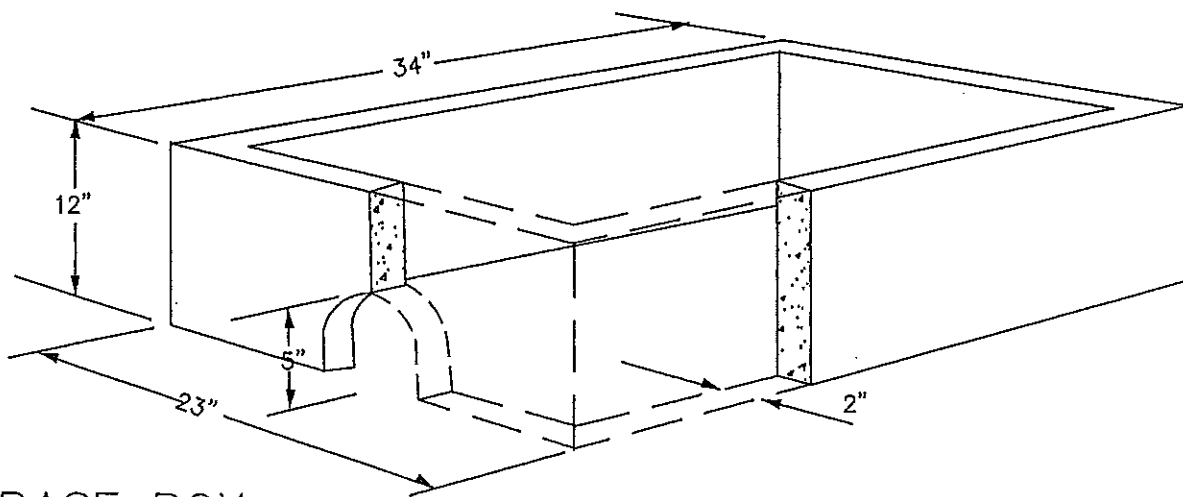
APPROVED	CITY OF FERNDAL 1 D METER BOX FOG TITE	DRAWING
Public Works Director Date		W-7



DIAMOND PLATE LID



TOP RISER BOX



BASE BOX

NTS

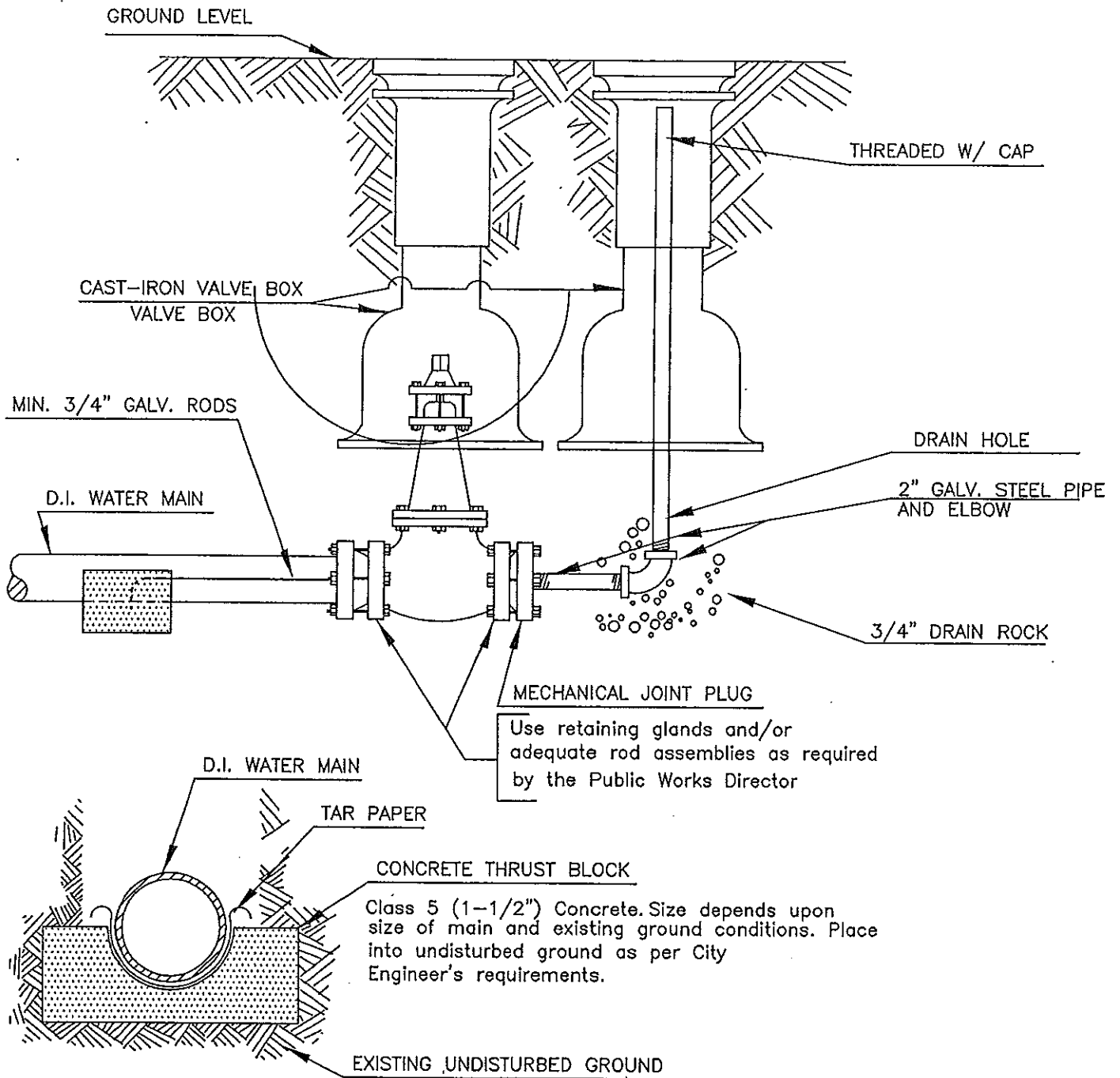
APPROVED

Public Works Director

Date

CITY OF FERNDAL
 NUMBER "2" METER BOX
 FOG TITE

DRAWING
 W-8



2" blow-off to be used where the main will be extended in the future. For mains with no further extension, refer to 2" blowoff, non-extendable main.

NOT TO SCALE

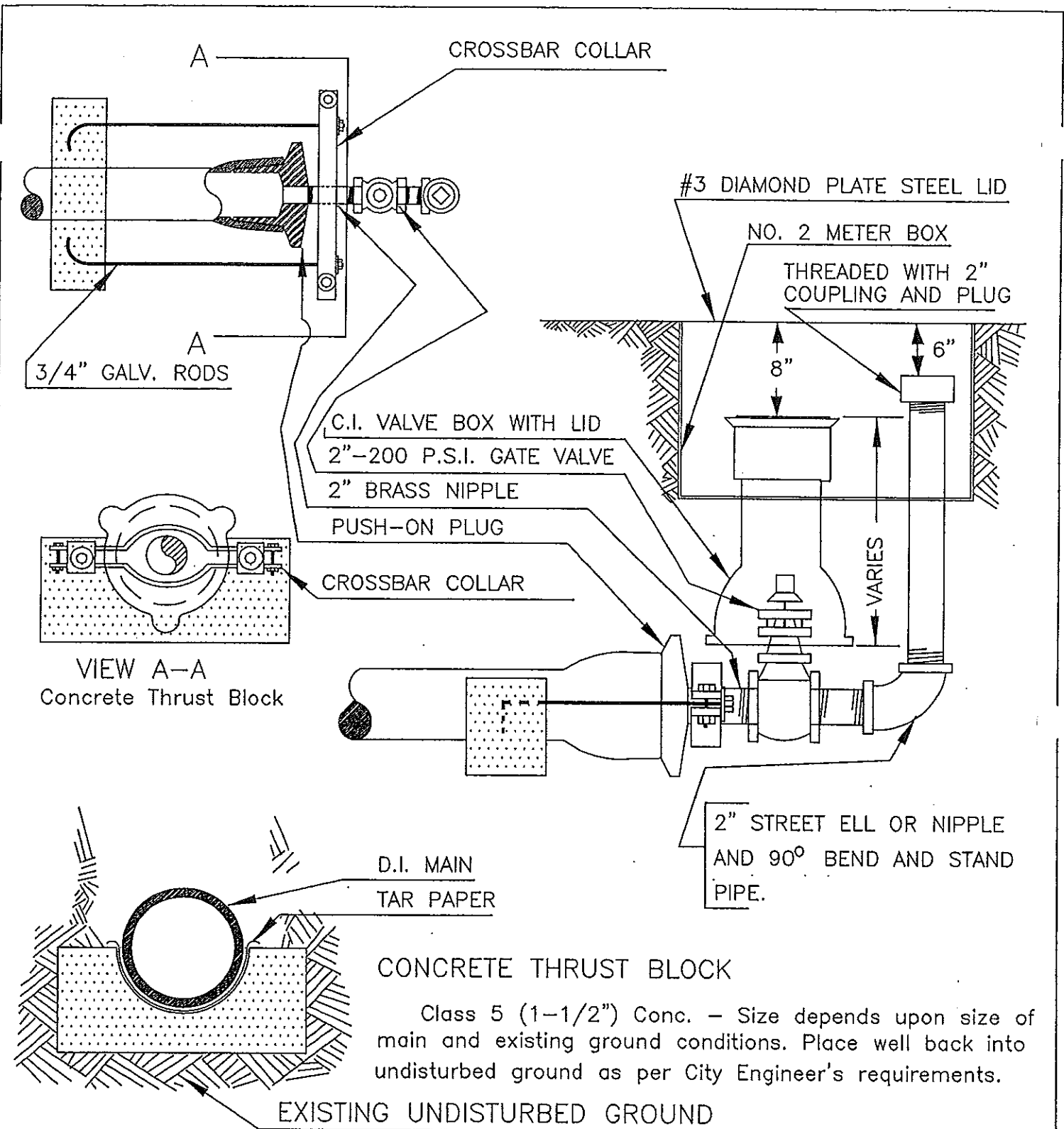
APPROVED

Public Works Director

Date

CITY OF FERNDALE
2" BLOW-OFF
WATER MAIN EXTENSION

DRAWING
W-9



NOTES:

1. As an alternate a cast-iron valve box can be installed over the 2" valve and a valve box over the 2" stand pipe.
2. 2" blow-off to be used when main will not be extended further.
3. Valve boxes shall be cast iron, with screw type adjustment. NTS

APPROVED _____ Public Works Director	CITY OF FERNDALE 2" BLOW-OFF NON-EXTENDABLE MAIN	DRAWING W-10
_____ Date		

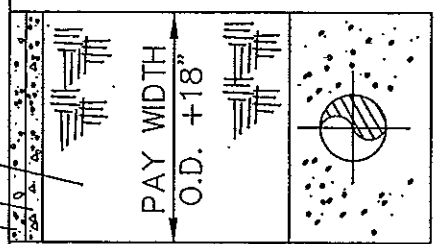
MATCH EXISTING SURFACE COURSE IN KIND (SEE NOTE 2)

MATCH EXISTING CRUSHED SURFACING IN KIND
 SELECT BACKFILL COMPACTED TO 95% RELATIVE COMPACTION

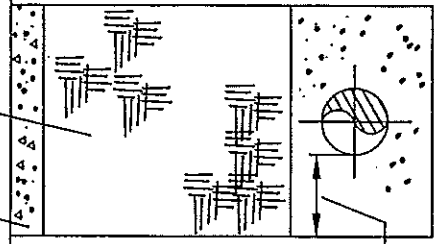
3" CRUSHED COMPACTED TO 95% RELATIVE COMPACTION
 SELECT BACKFILL COMPACTED TO 95% RELATIVE COMPACTION

NATIVE TOPSOIL DEPTH VARIES
 NATIVE BACKFILL COMPACTED TO 90% RELATIVE COMPACTION IN DITCH, 95% RELATIVE COMPACTION IN SHOULDER & ROADWAY SECTION

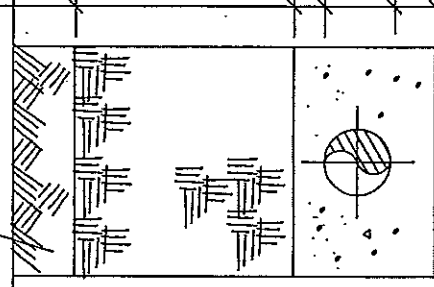
SEED, FERTILIZE AND MULCH



ASPHALT/CONCRETE PAVEMENT TRENCH



GRAVEL SHOULDER TRENCH



DITCH AND NON-DEVELOPED AREA TRENCH

- NOTES:
1. NATIVE BACKFILL SHALL BE COMPACTED TO 90% RELATIVE COMPACTION.
 2. SELECT BACKFILL/CRUSHED SURFACE COURSE SHALL BE COMPACTED TO 95% COMPACTION.
 3. PAVEMENT SHALL BE SAW CUT, TACKED, AND COMPACTED TO 92% OF ABSOLUTE DENSITY.
 4. P.C.C. REPLACEMENT SHALL BE 2" GREATER THAN EXISTING COURSE, 7" MINIMUM, 6.5 P.C.C. (HES - AIR ENTRAINED)
 5. ALL TRENCH RESTORATION SHALL MEET CITY STANDARDS.

NOT TO SCALE

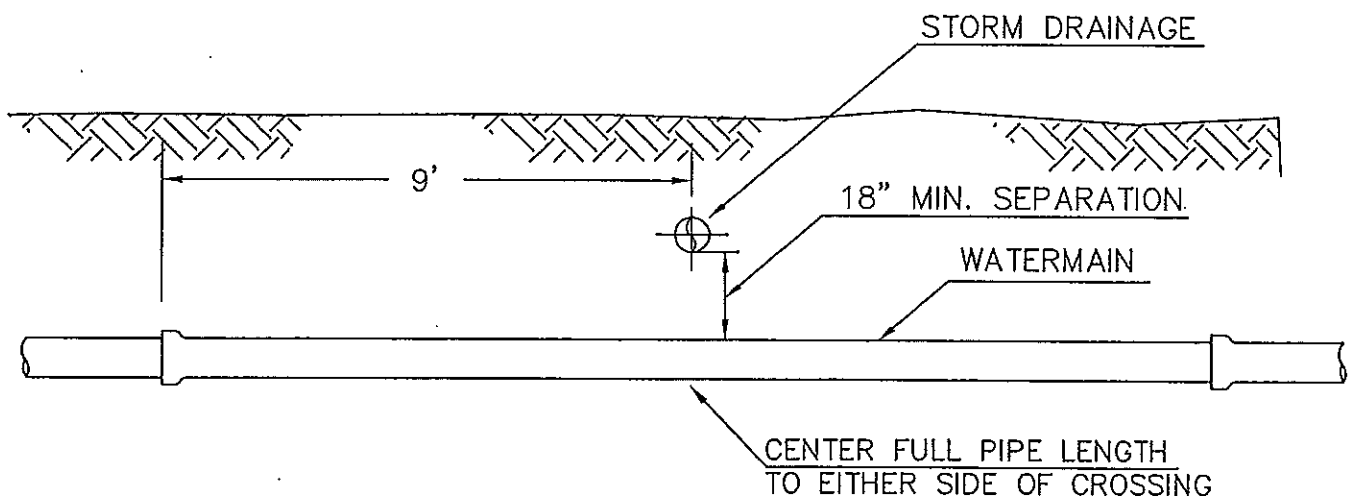
APPROVED

Public Works Director

Date

CITY OF FERNDALE
 TRENCHING DETAIL

DRAWING
 W-11



NOT TO SCALE

APPROVED

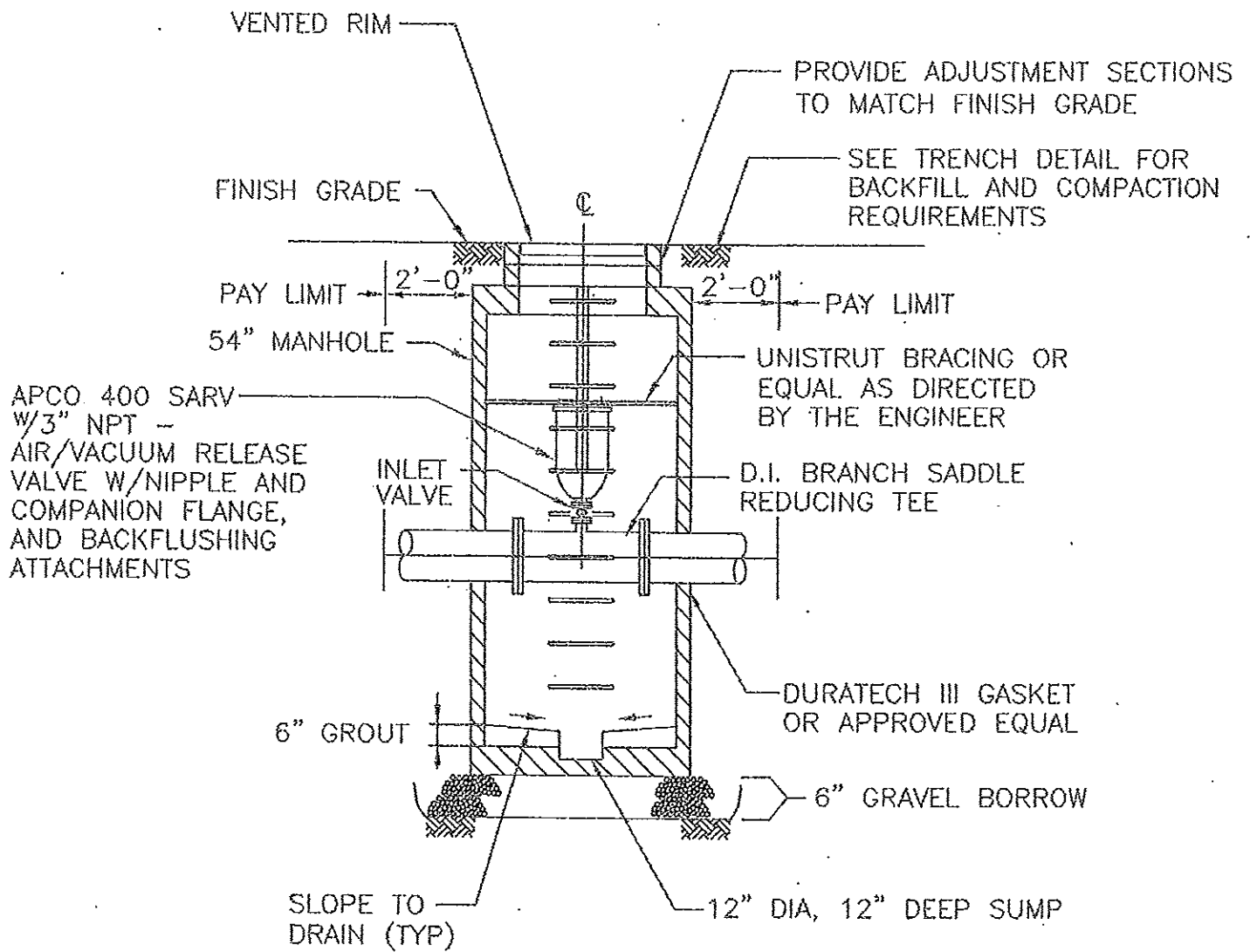
Public Works Director

Date

CITY OF FERNDALE
WATER CROSSING DETAIL

DRAWING

W-12



NOT TO SCALE

APPROVED

Public Works Director

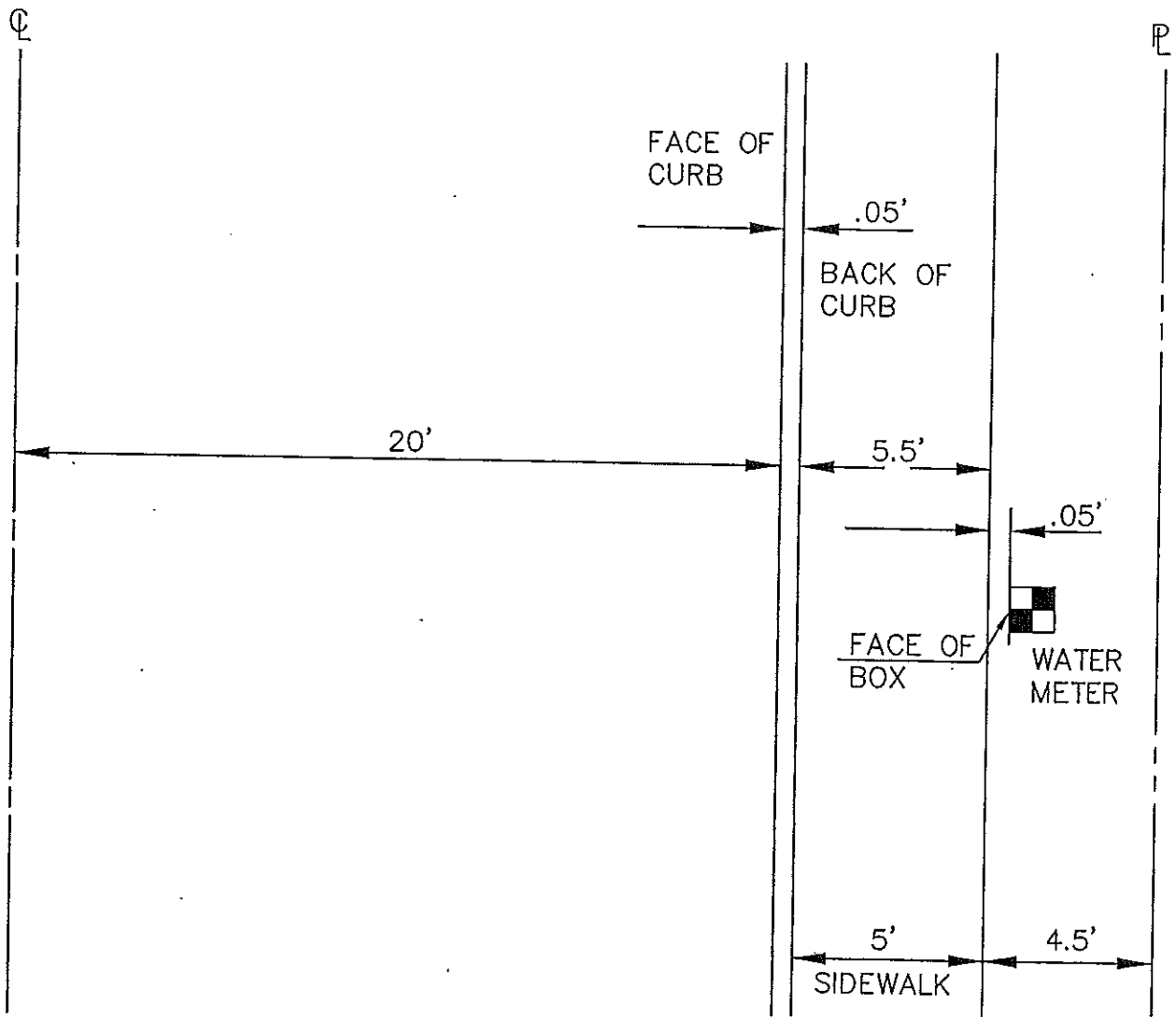
Date

CITY OF FERNDALE
AIR - VACUUM
RELEASE VALVE ASSEMBLY

DRAWING

W-13

JANUARY 1993



NOT TO SCALE

APPROVED

Public Works Director

Date

CITY OF FERNDAL
 WATER METER LOCATION DETAIL

DRAWING

W-14

JUNE 1995